



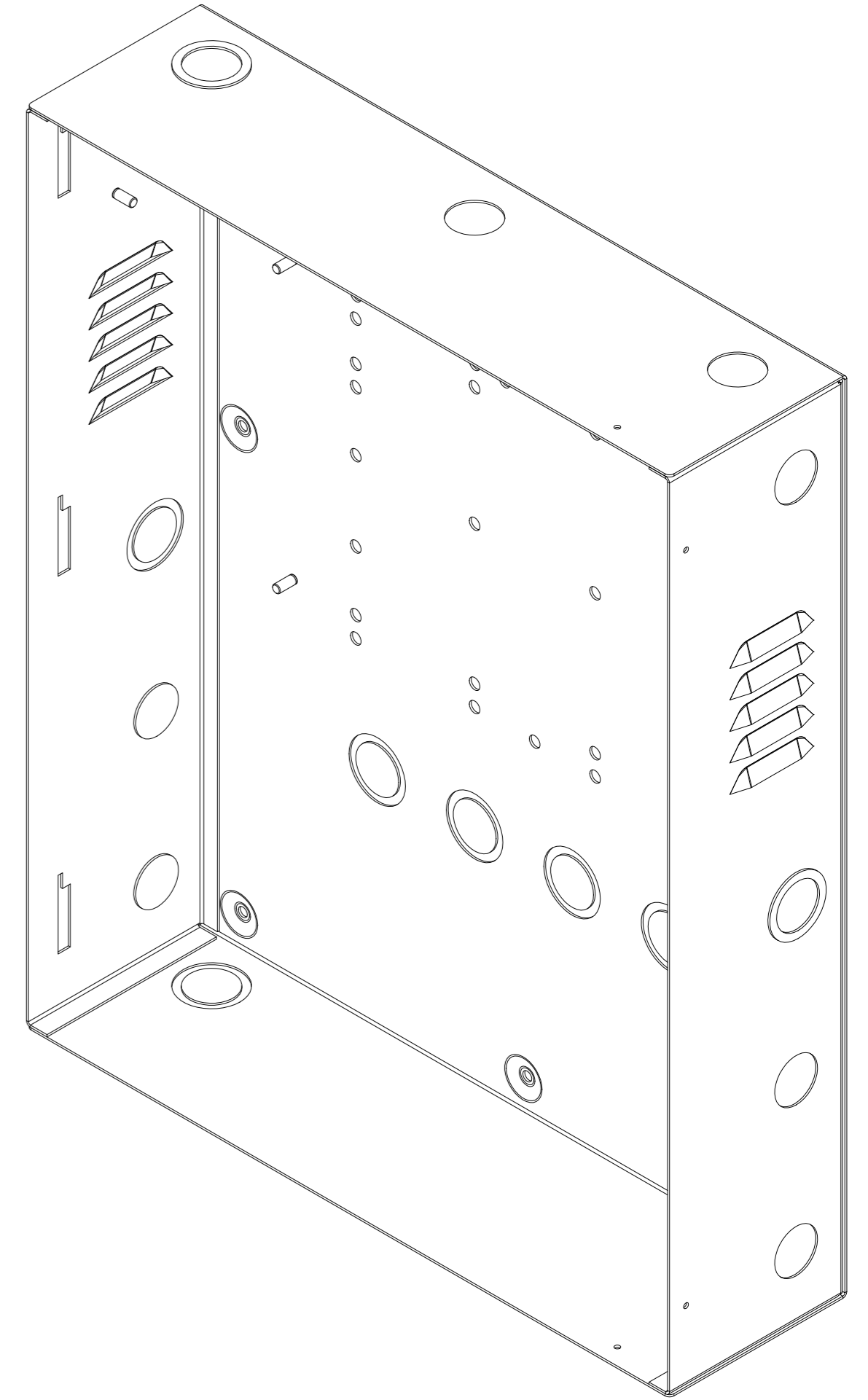
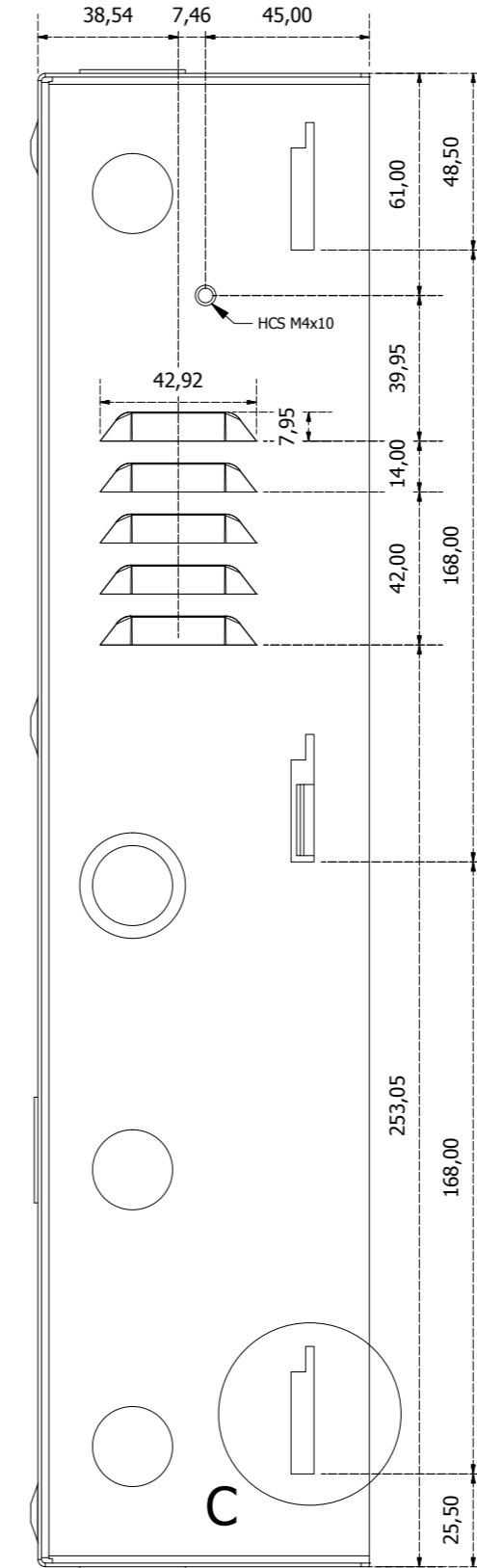
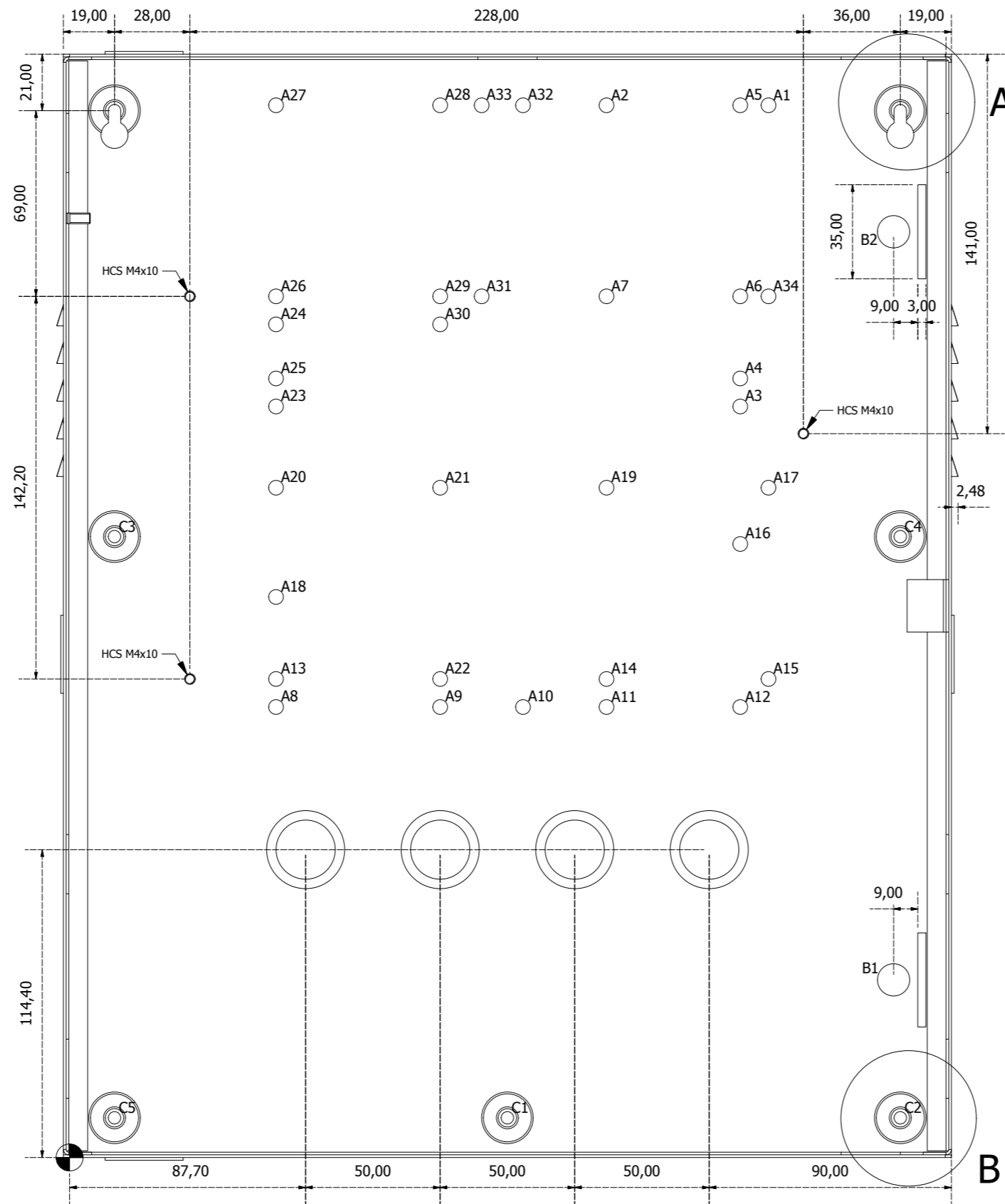
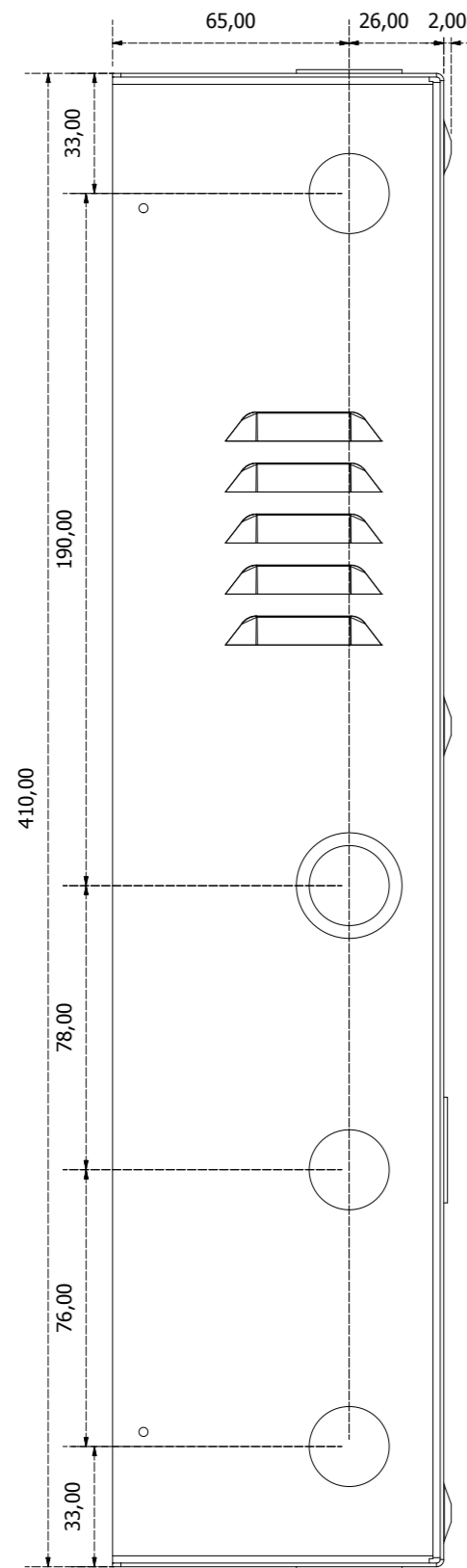
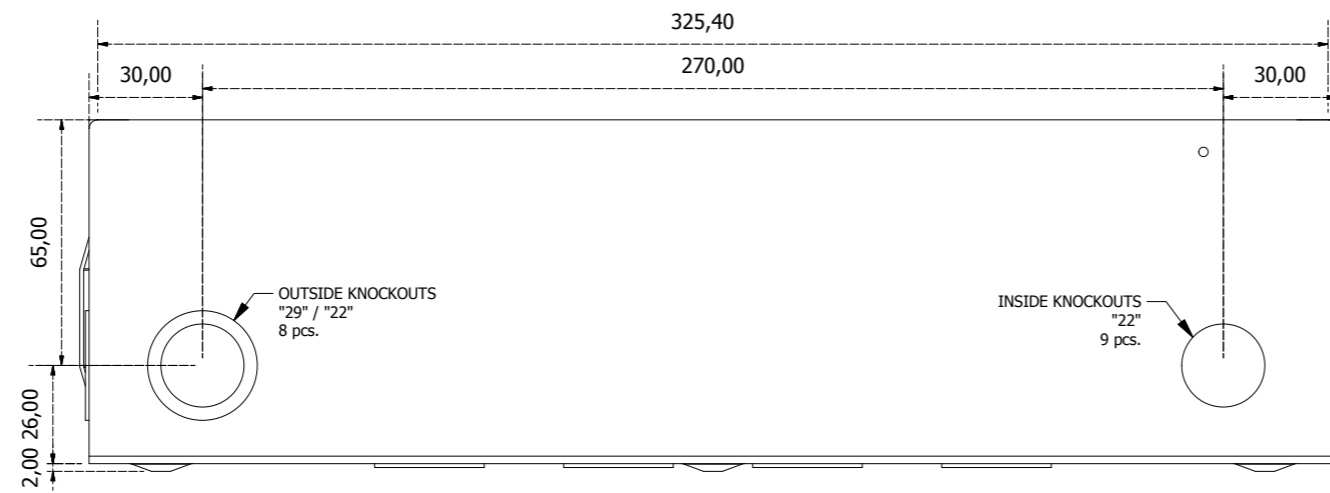
## IN-BOXDIN2

### UNIFY YOUR SECURITY SOLUTION

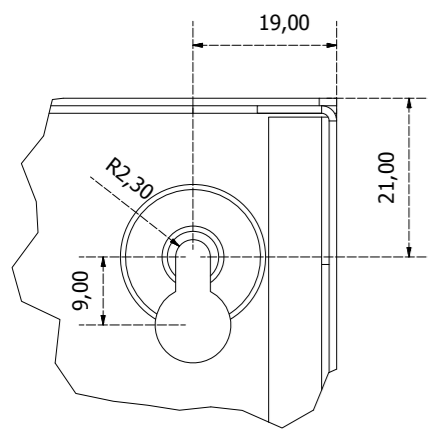
In a highly fragmented industry, we have grown to become more than just a manufacturer. Time being our clients' more precious asset, we've adapted our methods and business structure to provide them with the best and simplest experience to ensure the protection of people, information and assets.

#### Overview

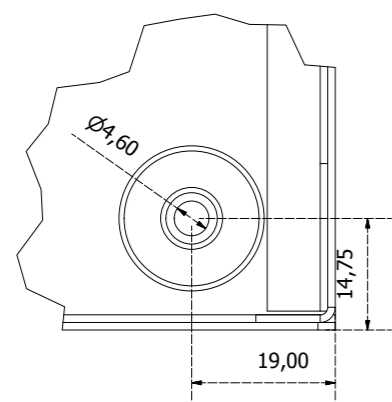
- DIN Rail cabinet with support for 2 rows by 1 column (2 modules)
- Complete with removable door, tamper switch and lockset.
- Dimensions : 38 cm x 28 cm x 13 cm (15" x 11" x 5")
- Weight : 3.9 kg (8.62 lbs)



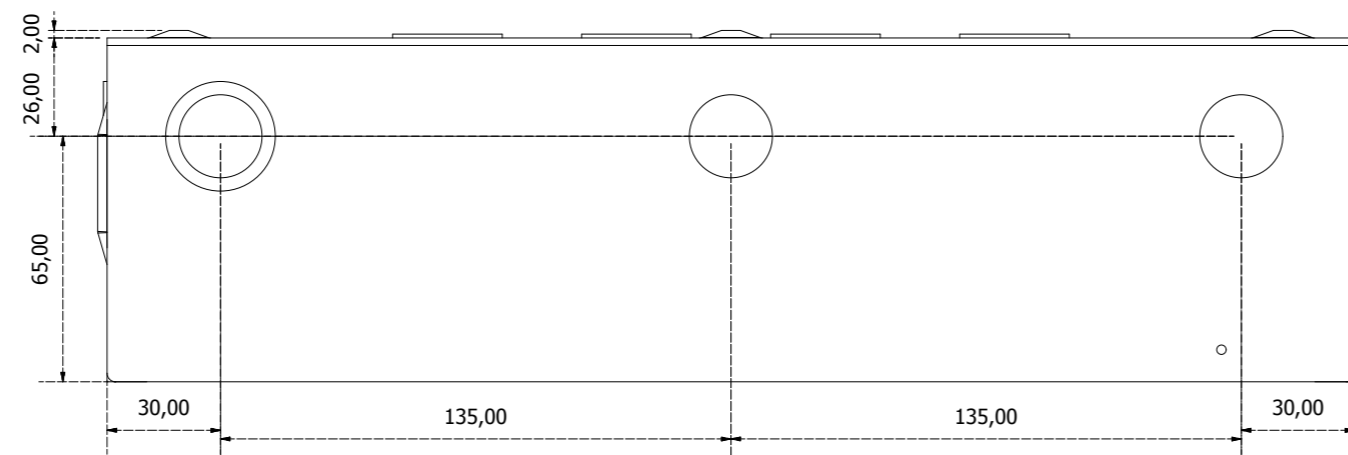
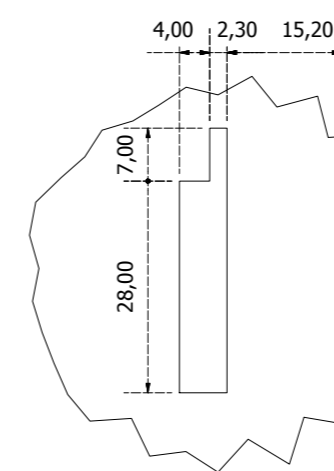
A (1:1)

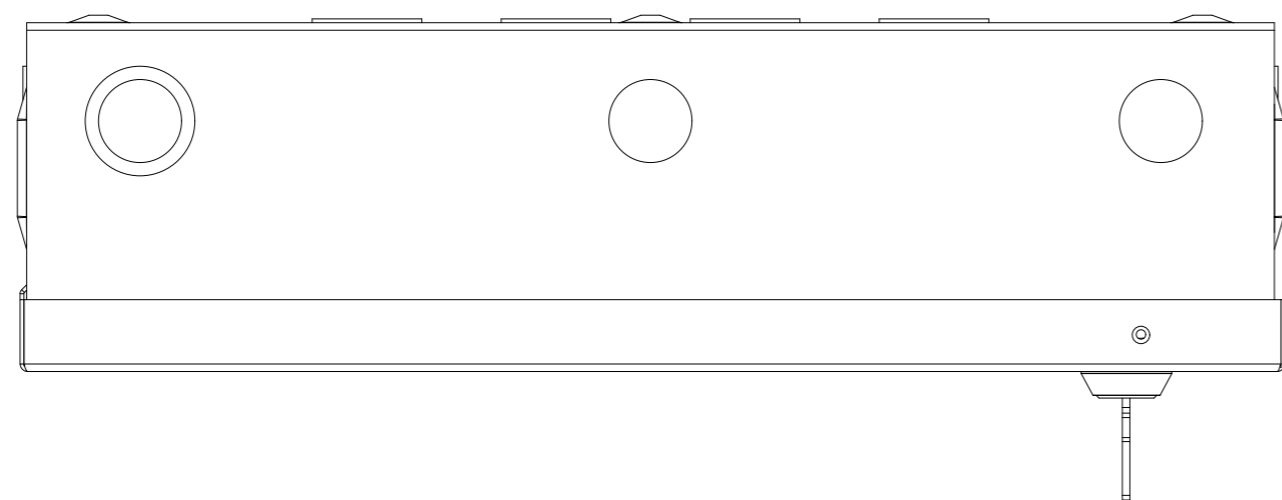
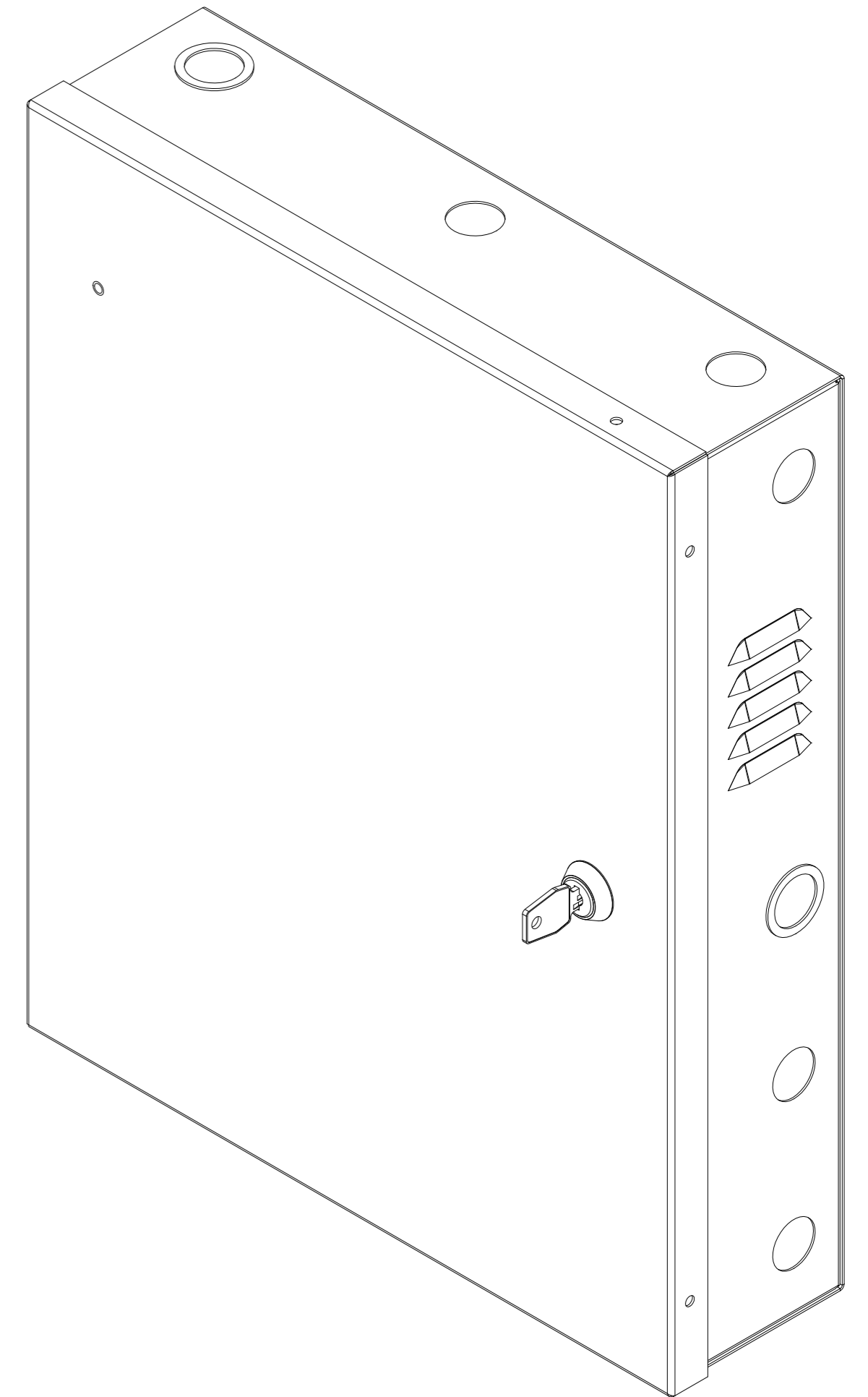
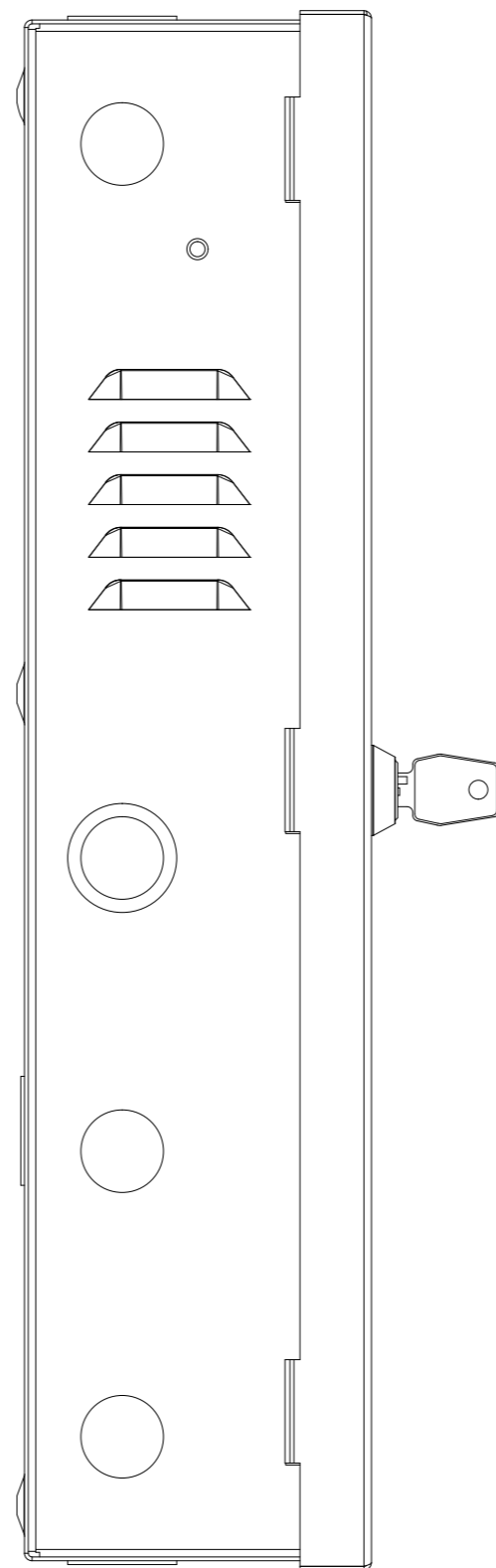
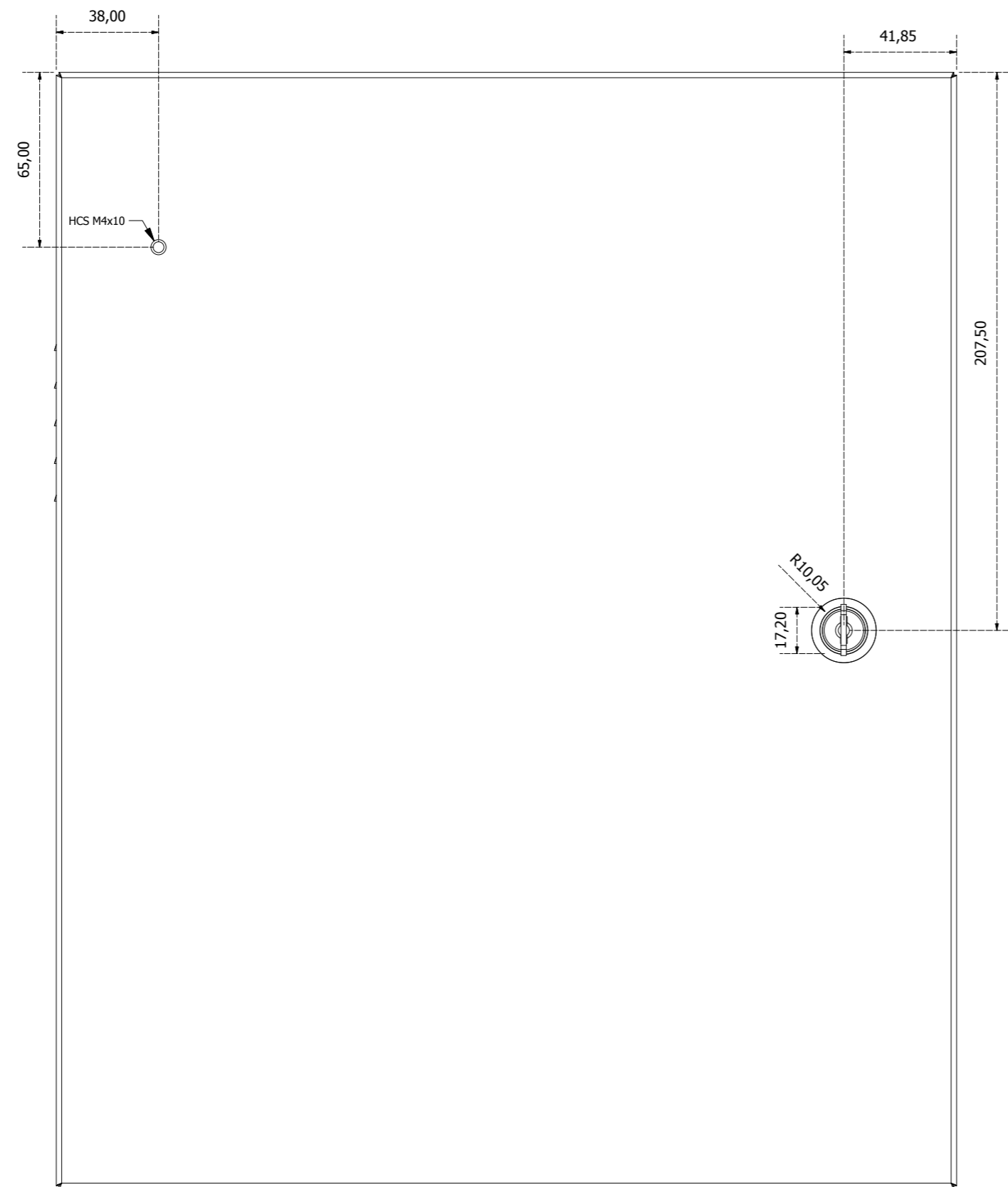
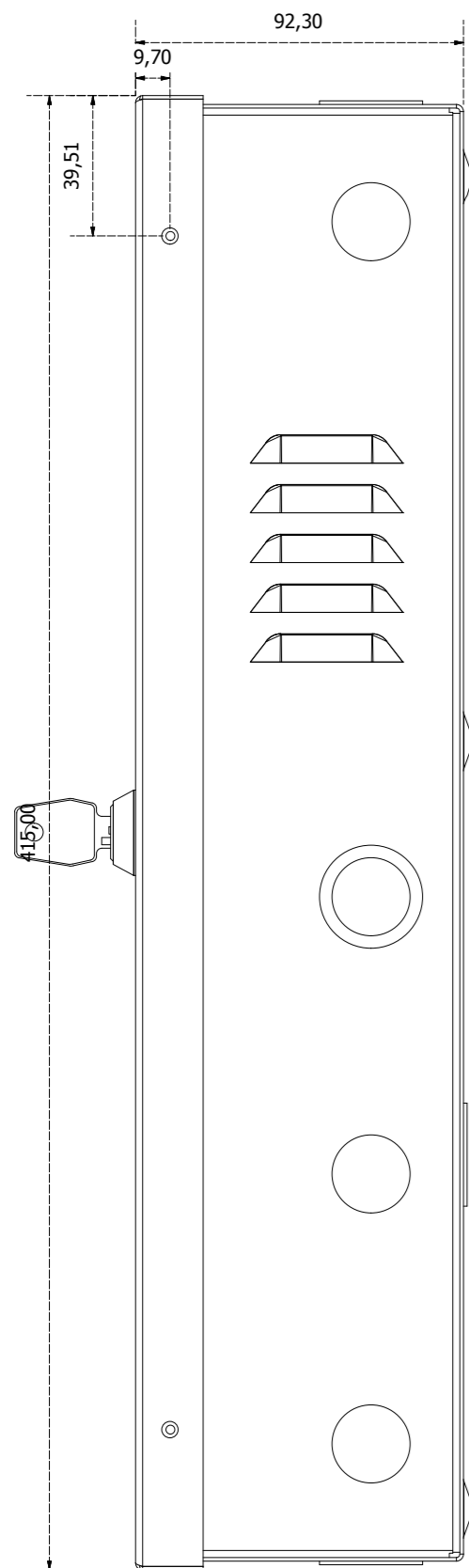
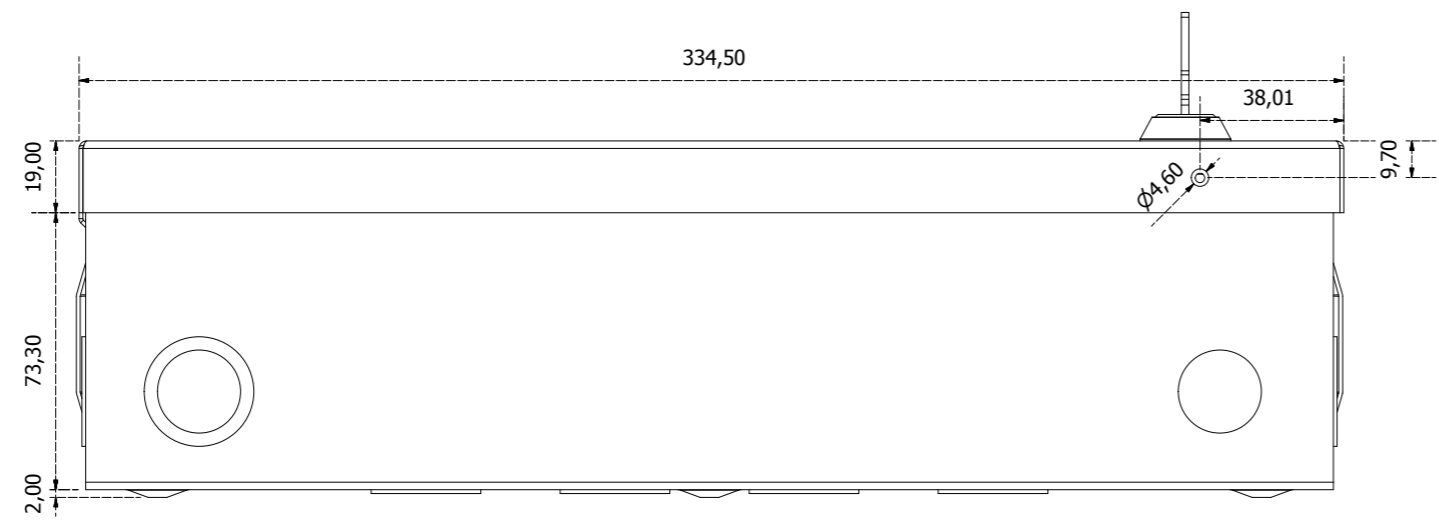


B (1:1)



C (1:1)





C-C (1:2)

